



**SPIERINGS  
CRANES**

**Make: SPIERINGS Type: SK1265-AT6**

**Crane specification (Jib length 60 m)**

Serial number

Year of construction

Crane group : A3 as per FEM 1.001  
 Loadspectrum : Q1 as per FEM 1.001  
 Classification : U4 as per FEM 1.001  
 Stability : as per FEM 1.001

Max. load  
**10,0 tonne**

Max.radius with max. load  
**13,2 m**

Max. capacity  
**132 tm**

Max. jib length  
**60 m**

**Speeds** Jib horizontal / jib 30° luffed

	m/min	kg		0 - 70 m/min
	15	10000		
	30	5000		0-0,7 r/min
	45	2500		
75	0			

All motions with hydraulic proportional controls.  
 Luffing the jib 30° can be controlled from crane cab or by remote control.  
 Crane can be driven in its erected position under special conditions (refer user guide).

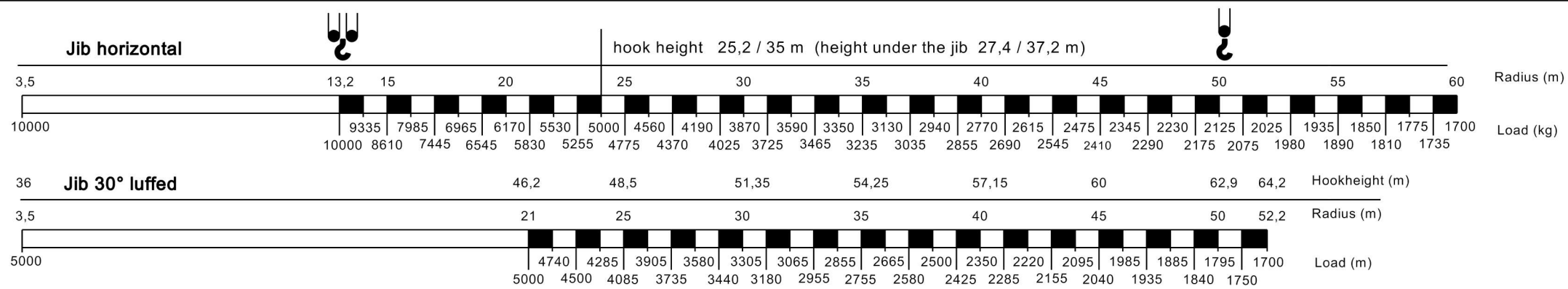
Continuous slewing of the crane (360°) with the outriggers out and support pads down.  
 The crane should be folded in at wind force 9 (Bf) (21 m/sec) or when not in use for a longer period.  
 Operating temperature range from -15°C till +40°C

Counterweight Crane : 12600 kg.  
 Rated lifting capacity is net capacity.  
 Max. line pull force : 2500 kg.  
 2 parts of line : 5000 kg - 1700 kg  
 4 parts of line : 10000 kg - 5000 kg  
 Sail area of the load max.: 1,0 m<sup>2</sup>/ ton.

Outriggers positioned according to lifting chart  
 Outrigger support base : 7,95 x 7,66 m.  
 Operation allowed up to wind force 7 (14 m/s).  
 Outrigger support base : 7,95 x 5,72 m.  
 Operation allowed up to wind force 7 (14 m/s).  
 Max. outrigger force: 520 kN.

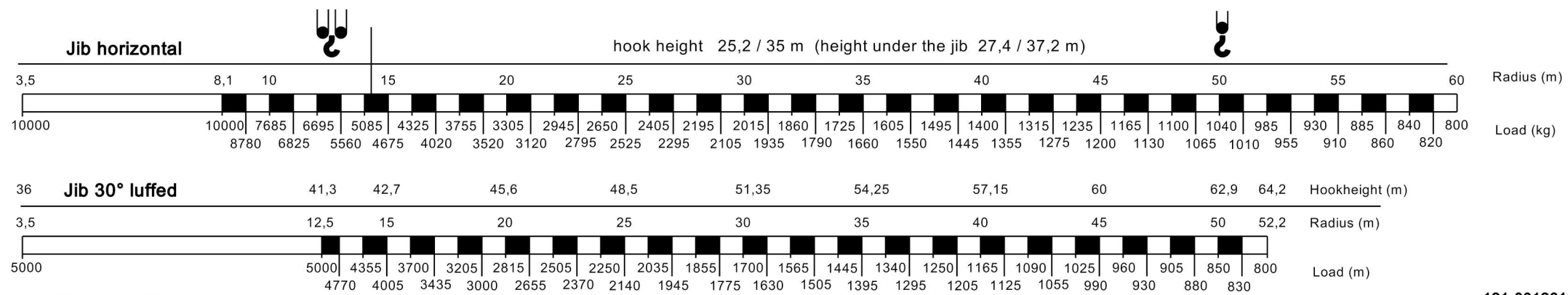
**Lifting chart**

**Outrigger support base : 7,95 m x 7,66 m**

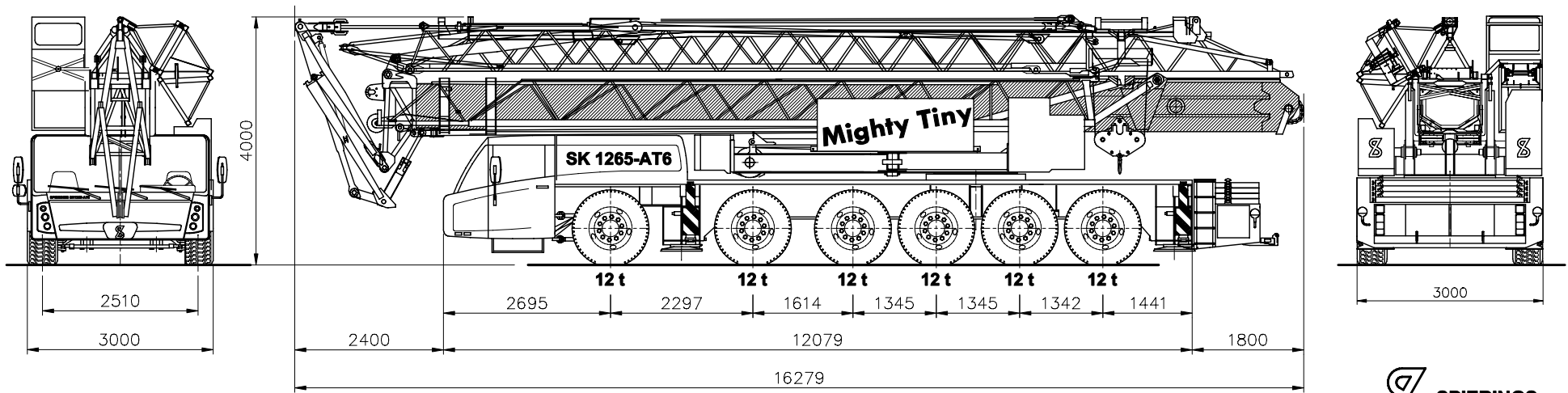
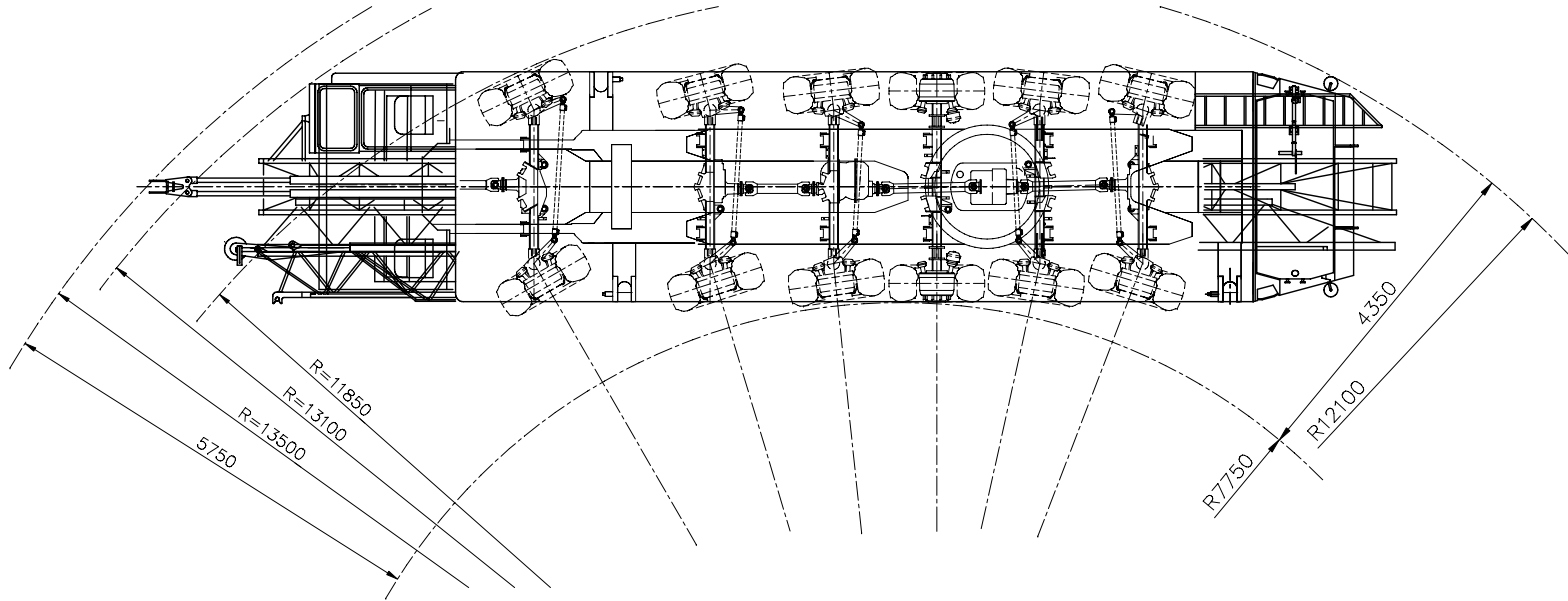


**Lifting chart**

**Outrigger support base : 7,95 m x 5,72 m**



changes subject to modifications



**SPIERINGS HYDRAULIC FOLDING CRANE  
SK 1265 - AT6**

Total weight: 72000 kg  
Changes subject to modifications

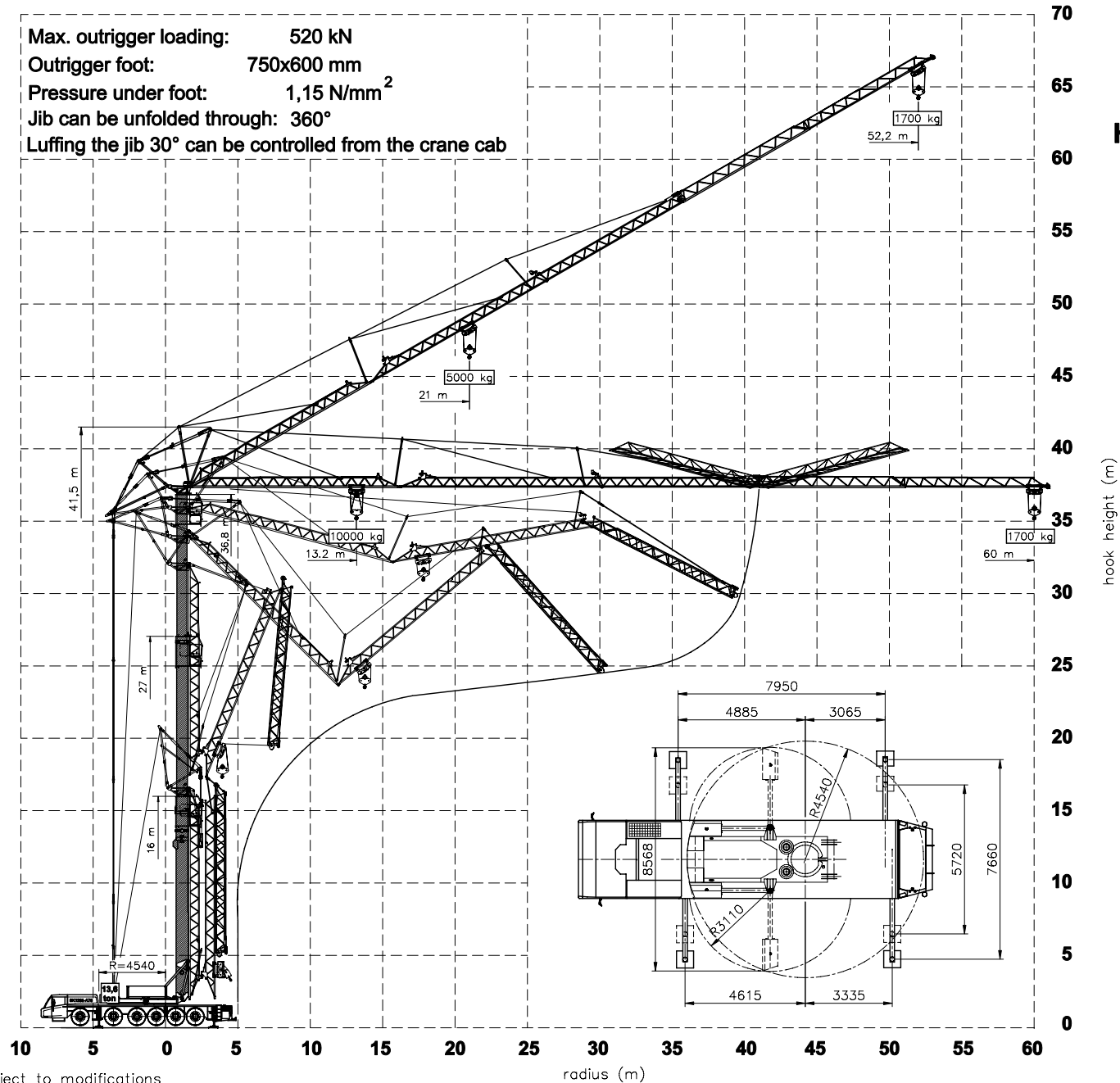
**SPIERINGS  
KRANEN**  
Merwedestraat 15  
5347 KZ Oss NL  
Tel. +31 (0)412-626964  
Fax +31 (0)412-645299

Max. outrigger loading: 520 kN  
 Outrigger foot: 750x600 mm  
 Pressure under foot: 1,15 N/mm<sup>2</sup>  
 Jib can be unfolded through: 360°  
 Luffing the jib 30° can be controlled from the crane cab

# SPIERINGS

## HYDRAULIC FOLDING CRANE

### SK1265-AT6

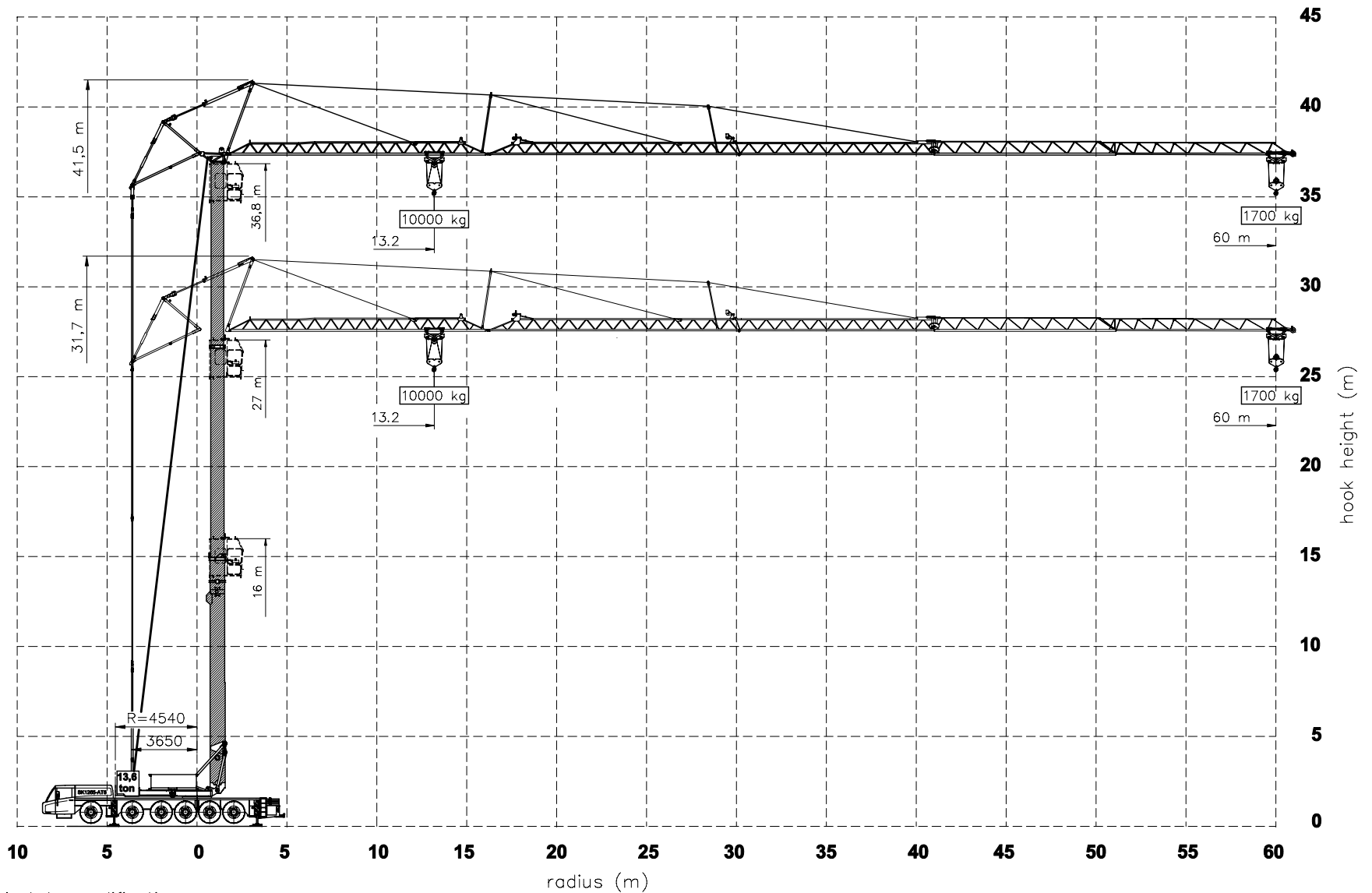


Merwedestraat 15  
 5347 KZ Oss NL  
 Tel. +31 (0)412-626964  
 Fax +31 (0)412-645299

# SPIERINGS

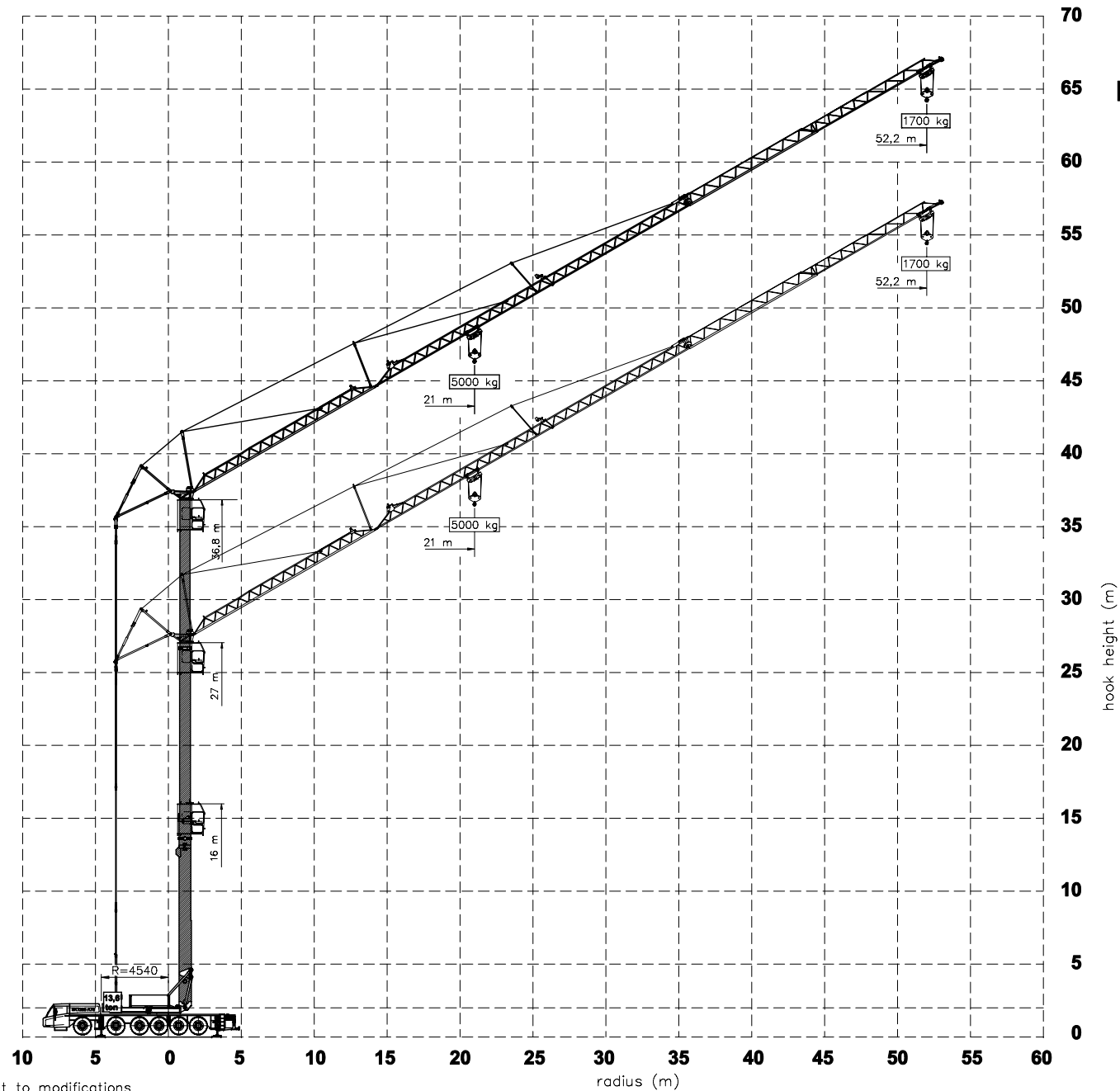
## HYDRAULIC FOLDING CRANE

### SK1265-AT6



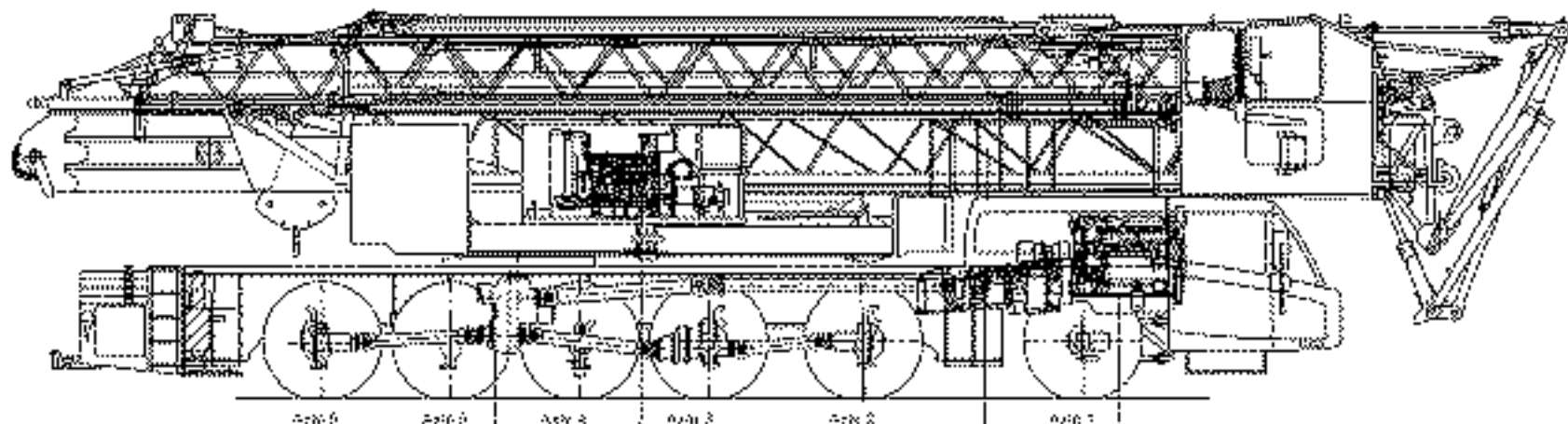
Changes subject to modifications

# SPIERINGS HYDRAULIC FOLDING CRANE SK1265-AT6



**SPIERINGS  
KRANEN**

Merwedestraat 15  
5347 KZ Oss NL  
Tel. +31 (0)412-626964  
Fax +31 (0)412-645299



Transmission  
 ZF 10S 2061 508  
 Road gear  $\approx 0,39$   
 GV road gear  $\approx 1,14$

Carrier drive engine  
 John Deere J604HF532  
 Output speed  
 Power 101 kW (136 CV)  
 Torque 256 Nm (188 ft-lb)

Gearbox  
 ZF 16AG201 50  
 Automatic  
 GV drive clutch  
 + clutch

Carrier drive engine  
 Eves VI  
 DAF MX 13.176 (12,0 m)  
 Power 309 kW (420 CV)  
 Torque 2010 Nm (1476 ft-lb)

Axle 1 : Steer axle  
 Axle 7 : Steer drive axle (lead reduction 17,2%)  
 Axle 5 : Steer drive axle (lead reduction 17,2%)  
 Axle 4 : Axle, not steered and not covered  
 Axle 6 : Steer axle  
 Axle 2 : Steer drive axle (lead reduction 17,2%)

Type  
 Suspension hydro-pneumatic on all axes, shocks opt  
 Max. speed carrier  
 Min. speed carrier (engine at 1100 rpm)  
 Overall weight

4x275-427,0  
 247 mm  
 87 km/h  
 1,9 km/h  
 22.000 kg

## Drive train Spierings Folding Crane SK 1265-AT6


**SPIERINGS**  
**MOBILE CRANES**

Middelweg 15  
 6M70Z Oude He  
 Tel: +31 (0)12462681  
 Fax: +31 (0)12462680  
 www.spieringscranes.com

121-001263060



**SPIERINGS  
CRANES**

**Make: SPIERINGS Type: SK1265-AT6**

**Crane specification (Jib length 52 m)**

Serial number

Year of construction

Crane group : A3 as per FEM 1.001  
 Loadspectrum : Q1 as per FEM 1.001  
 Classification : U4 as per FEM 1.001  
 Stability : as per FEM 1.001

Max. load  
**10,0 tonne**

Max.radius  
with max. load  
**13,57 m**

Max. capacity  
**135 tm**

Max. jib length  
**52 m**

**Speeds** Jib horizontal / jib 30° luffed

	m/min	kg		
	15	10000		0 - 70 m/min
	30	5000		0-0,7 r/min
	45	2500		
	75	0		

All motions with hydraulic proportional controls.  
 Luffing the jib 30° can be controlled from crane cab or by remote control.  
 Crane can be driven in its erected position under special conditions (refer user guide).

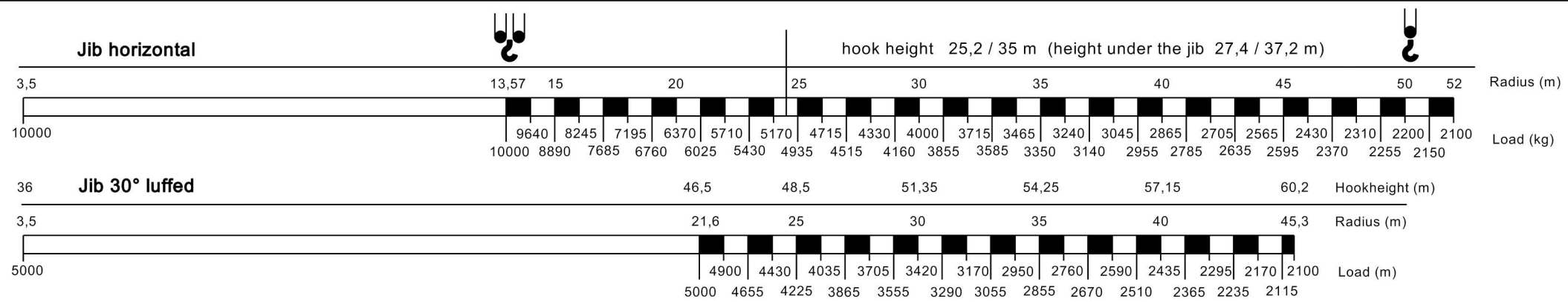
Continuous slewing of the crane (360°) with the outriggers out and support pads down.  
 The crane should be folded in at wind force 9 (Bf) (21 m/sec) or when not in use for a longer period.  
 Operating temperature range from -15°C till +40°C

Counterweight Crane : 12600 kg.  
 Rated lifting capacity is net capacity.  
 Max. line pull force : 2500 kg.  
 2 parts of line : 5000 kg - 1700 kg  
 4 parts of line : 10000 kg - 5000 kg  
 Sail area of the load max.: 1,0 m<sup>2</sup>/ ton.

Outriggers positioned according to lifting chart  
 Outrigger support base : 7,95 x 7,66 m.  
 Operation allowed up to wind force 7 (14 m/s).  
 Outrigger support base : 7,95 x 5,72 m.  
 Operation allowed up to wind force 7 (14 m/s).  
 Max. outrigger force: 520 kN.

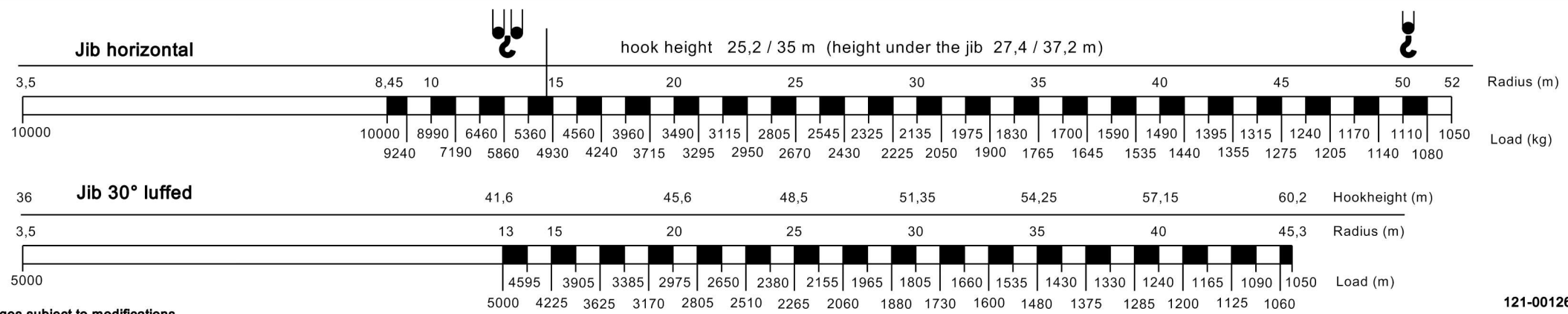
**Lifting chart**

**Outrigger support base : 7,95 m x 7,66 m**



**Lifting chart**

**Outrigger support base : 7,95 m x 5,72 m**



changes subject to modifications

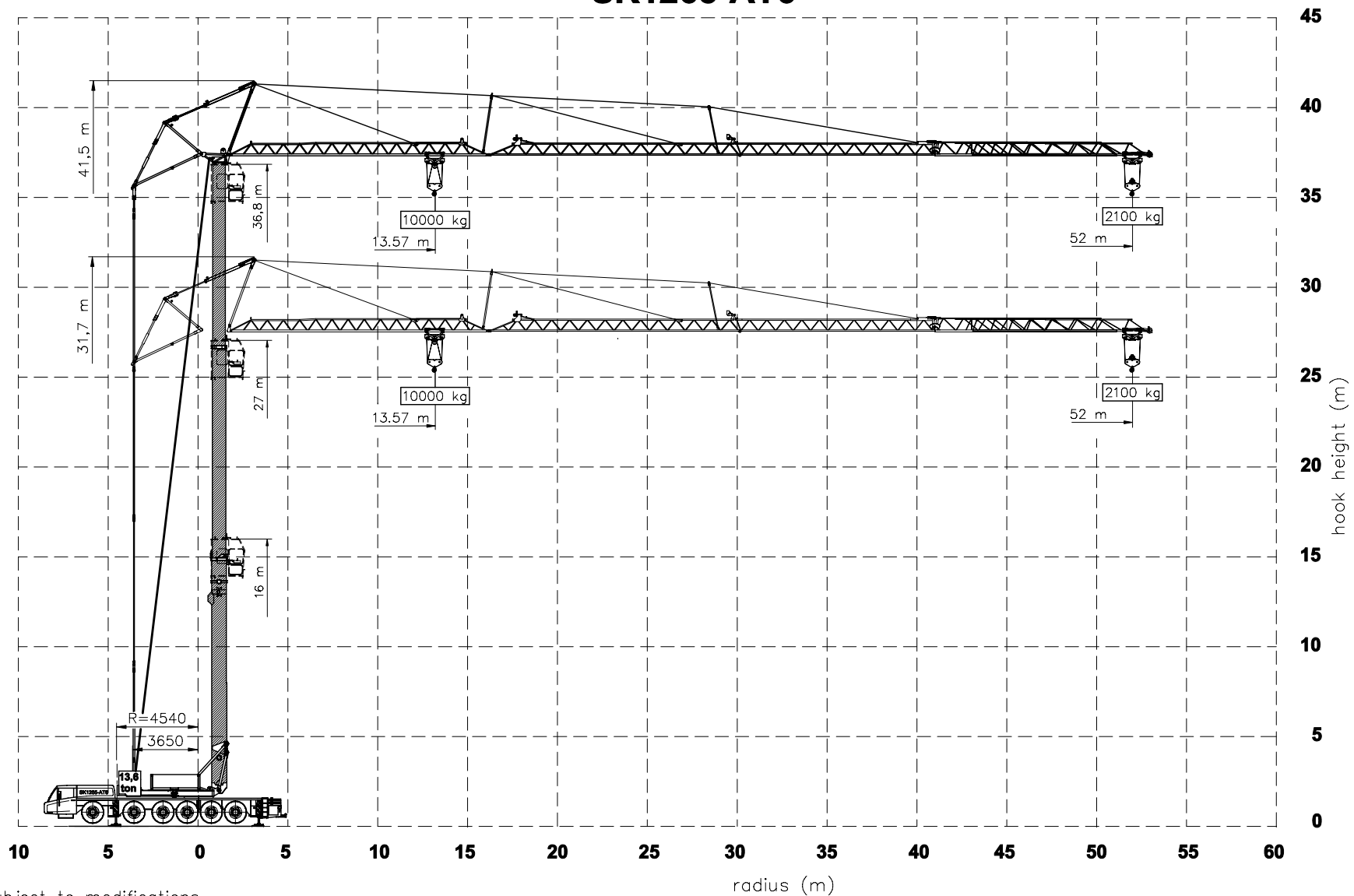




# SPIERINGS

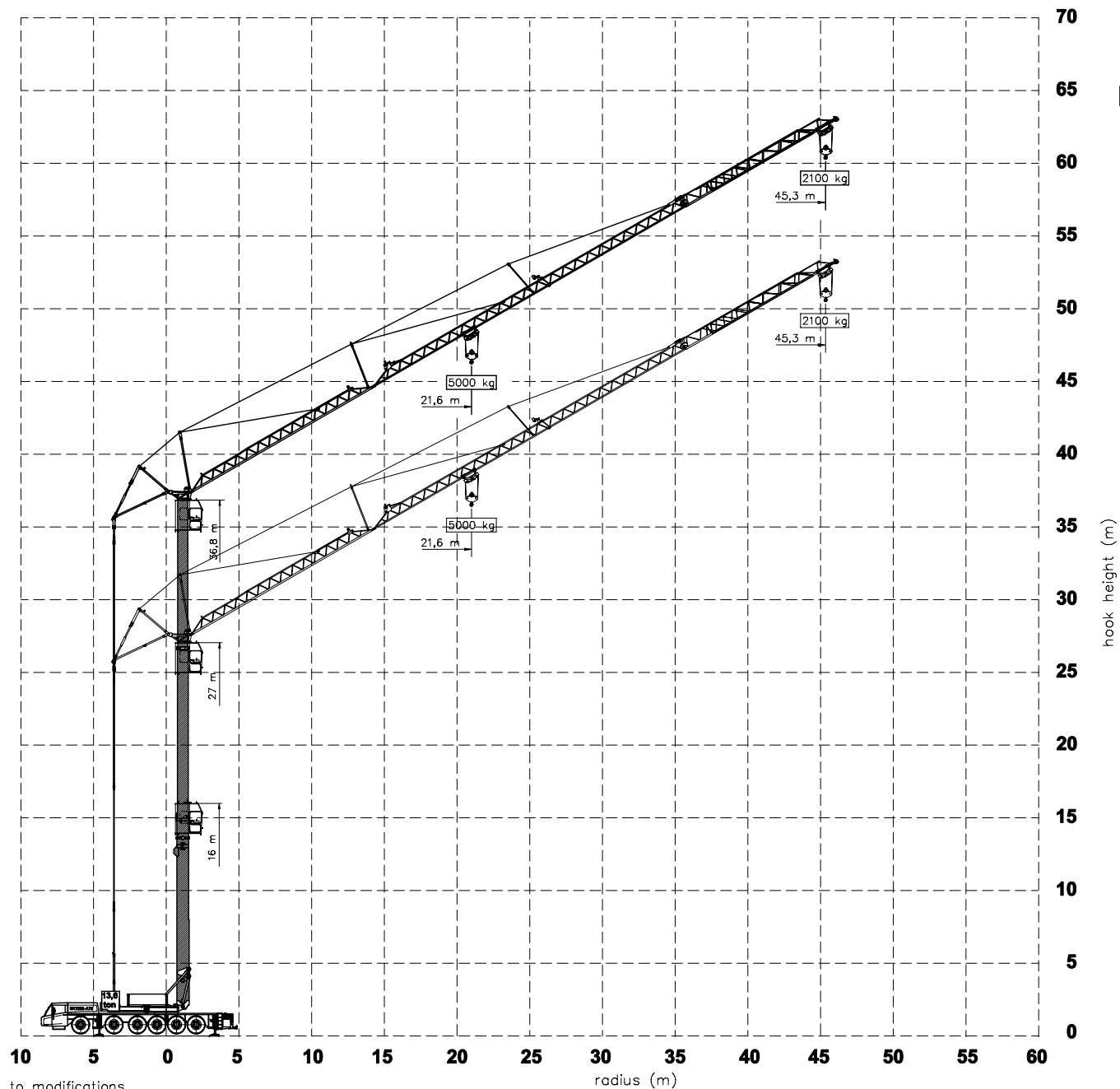
## HYDRAULIC FOLDING CRANE

### SK1265-AT6



Changes subject to modifications

# SPIERINGS HYDRAULIC FOLDING CRANE SK1265-AT6



Merwedestraat 15  
5347 KZ Oss NL  
Tel. +31 (0)412-626964  
Fax +31 (0)412-645299